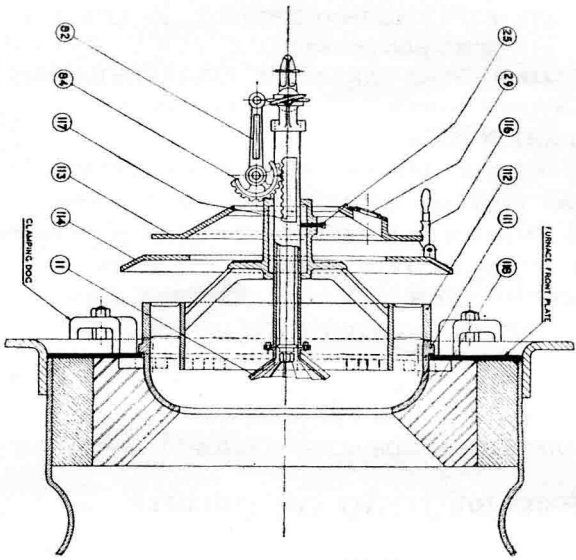


# NAMES OF PARTS OF TODD EQUIPMENT ON NATURAL DRAUGHT FURNACE FRONTS

(WHEN ORDERING PARTS GIVE NAME, NUMBER AND STATE D.V. TYPE FRONT)



## PARTS.

- 1-10. Burner Assembly.
- 11. Diffuser.
- 25. Jacket Tube Set Screw.
- 29. Lighting Door.
- 36. Clamping Bolt.
- 81. Gear Shaft Bracket.
- 82. Operating Lever.
- 83. Gear Shaft.
- 84. Quadrant Gear.
- 111. Bottom Ring.
- 112. Centre Section.
- 113. Cover Plate.
- 114. Outside Ring.
- 115. Air Regulator Stop.
- 116. Regulator Handle.
- 117. Rack Shafts.
- 118. Brick Quarl.
- 120. Air Register Hinge Pin.
- 121. Stop Bolt and Nut.

