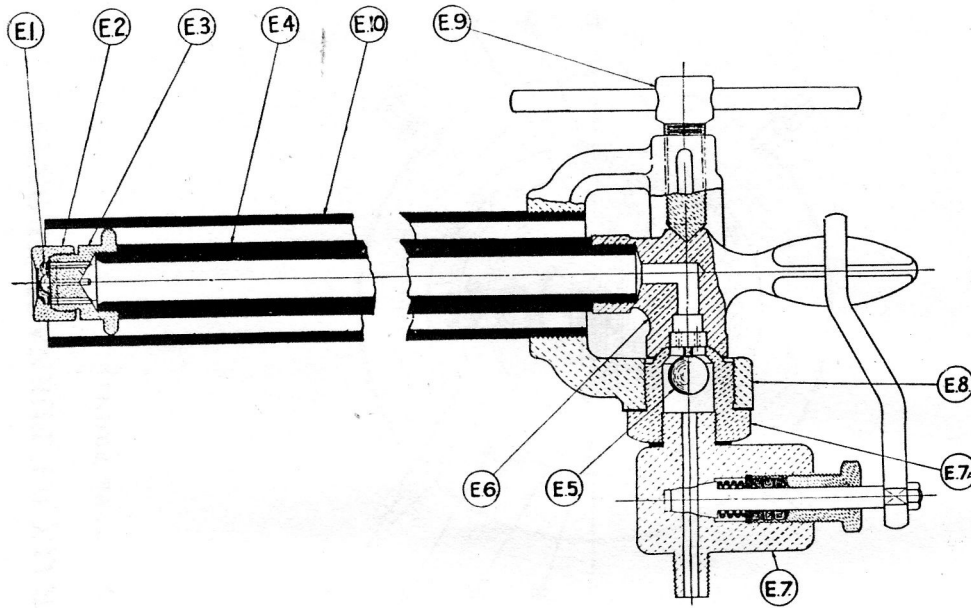


PARTS OF TODD OIL BURNER.

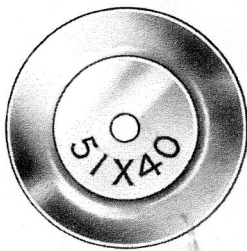


PARTS :

- E 1. Sprayer Plate. E 2. Sprayer Plate Nut. E 3. Nozzle Body. E 4. Atomizer Barrel.
 E 5. Ball Valve. E 6. Atomizer Handle. E 7. Safety Shut-off Device. E 7A. Union Bushing.
 E 8. Housing. E 9. Housing Screw. E 10. Jacket Tube.

BURNER SPRAYER PLATES :

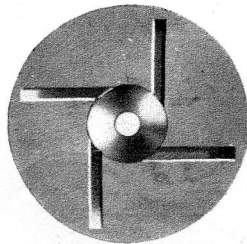
Each Sprayer Plate is stamped with the letter **X** or the letter **W**. Plates stamped with the letter **X** are designed for operating in Scotch boiler furnaces, and plates stamped with the letter **W** for operating in water tube boilers.



SPRAYER PLATE.



SECTIONAL VIEW OF SPRAYER PLATE.



REAR VIEW OF SPRAYER PLATE.

Marking	Orifice Diameter ins.	No. of Slots	Approx. Output in Lbs. per hour.
56 × 40	.046	3	158
55 × 40	.052	3	213
54 × 40	.055	3	244
53 × 40	.059	3	272
52 × 40	.063	3	332
51 × 40	.067	4	390
48 × 35	.076	4	490
44 × 35	.086	4	630

NOTE :

The outputs shown in the above list are only approximate, and are based on an oil pressure of 150 lbs. per sq. inch, it being clearly understood that the outputs will vary with the viscosity and pressure.